

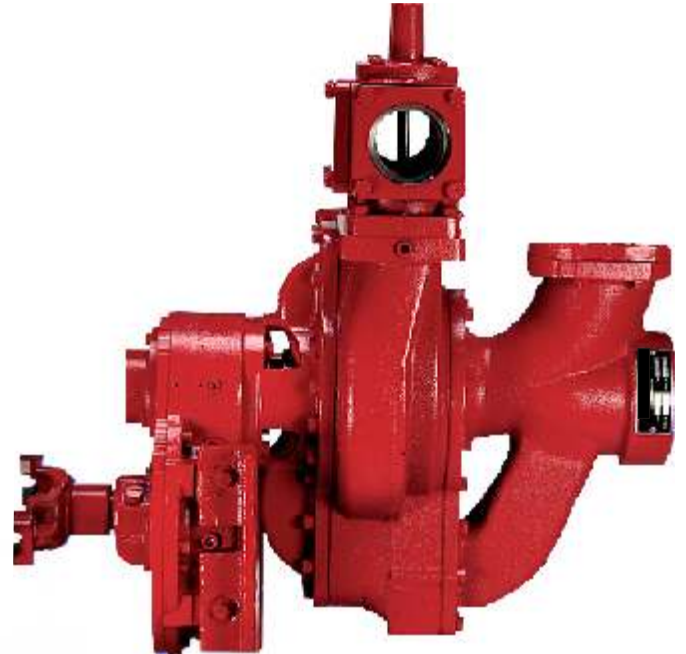
Vehicle Mounted Fire Pump



Aryan vehicle mounted combined high pressure & normal pressure fire fighting pump are ideal pumps for fire brigades for their fire tender due to its superior performance, great reliability and Best efficiency. These pumps can be mounted at the rear as well as midship mounted application. Deliver water from 1800 LPM to 3000 LPM and with pressure ranging from 7 Bar to 45 Bar.

Salient Feature

- Required only 75 HP power and 1800 engine RPM*
- Two stage, centrifugal pumps.
- Aluminium alloy / Bronze material of construction
- Available in 100 mm and 140 mm suction Inlet and 63 mm Two/Four delivery outlets (other equivalent sizes available on request.)
- Supplied with Screw Down Type delivery valves.
- Fully automatic and semi automatic Rotary vane piston primer can lift water from the depth upto 7.0 meter.
- Compatible with available chassis in the world.
- Very less maintenance and easy to dismantle.
- Less weight.
- Meet the requirements of International standards.
- Fitted with thermal & pressure relief valves.

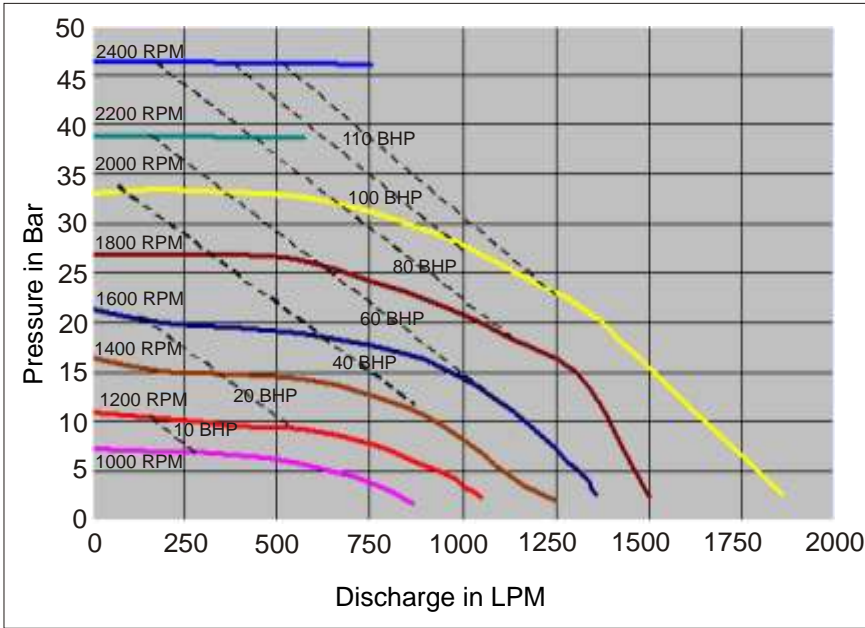


AVM- 2010 TP
2000 LPM @ 10 Bar
350 LPM @ 40 Bar

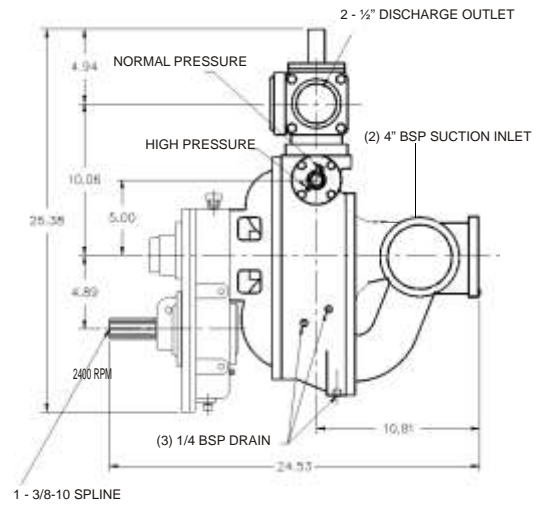
Performance

Aryan Vehicle Mounted Normal Pressure and High Pressure Pump performance :

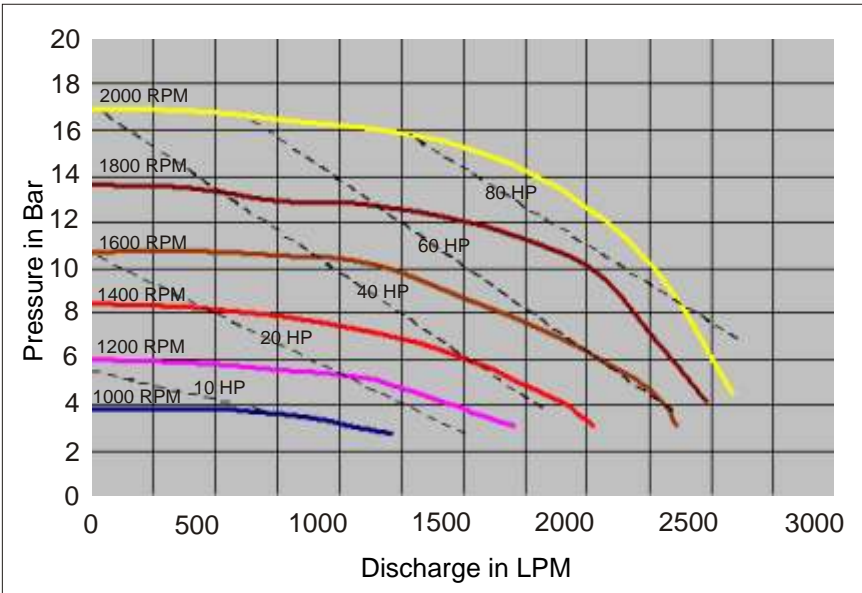
Parameter	AVM 2010 TP	AVM 3010TP
Priming Depth	7 Meter	7 Meter
Maximum Recommended Speed RPM	2900	2900
Maximum Outlet Pressure in Bar : Low Pressure	16	16
High Pressure	50	50
Maximum Flow in LPM : High Pressure	400	400
Low Pressure	2400	3200
Maximum Suction Pressure in Bar	12	12
Priming Time for 7.0 meter depth in Seconds	28	30
Thermal relief valve activation in degree centigrade	48	48
Weight in Kgs	84	98
Dimension in cm (L x H x W)	67.5 x 55 x 40	68 x 55 x 45



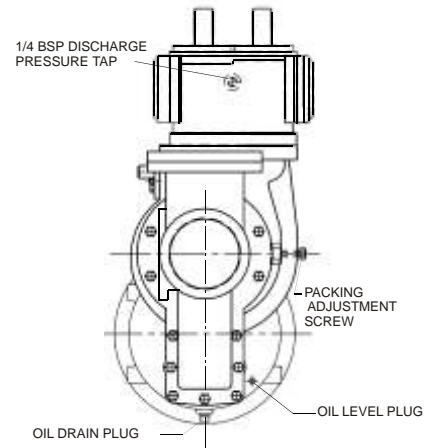
High Pressure Performance Curve



Layout drawing of AVM 2010 TP



Normal Pressure performance Curve



Layout drawing of AVM 2010TP

SALES • RENTALS • SERVICE

ARYAN PUMPS PVT. LTD.

CORPORATE OFFICE :
502, Shrinivas Apartment,
S. No. 10, Patwardhan Baug,
Erandwane, Pune 411 004. India.

Phone : +91-20-2545 4807
Telefax : +91-20-2545 4640
E-mail : info@aryanpumps.com
Web : www.aryanpumps.com

WORKS :
S. No. 38/2/1, Narhe Road,
Narhegaon, Pune 411 041. India.
Phone : +91-20-2439 4852