

Aryan Combi Recycler

A' Simplified Global Solution



Aryan Pumps & Enviro Solutions Pvt. Ltd. (APESPL) is a leading solution provider & manufacturer of special application liquid & solid waste cleaning vehicles. "Aryan Combi Recycler" a state of art drain cleaning vehicle cleans sewer lines more efficiently with sewage recycling for jetting operation.

Suction and Jetting Machine with Water Recycling

CANAL CLEANING | DRAIN CLEANING | SEWER CLEANING

www.aryanpumps.com

Design Facility



3D Modeling for better designing



Manufacturing Facility



Plasma Cutting

State of the art plasma metal cutting facility.



Machine Shop

Computer Numerical Control (CNC) and Vertical Machining Centre (VMC) facility.



Rolling Machine

Metal sheet rolling facility.



ESAB Welding

Column and Boom type welding machine.



Shot Blasting Machine

Shot Blasting facility.



Assembly

State of the art assembly facility.



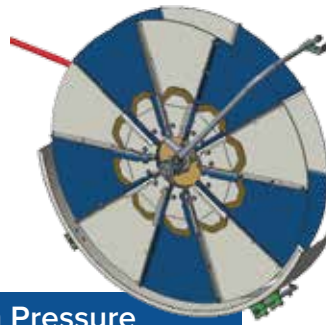
Paint Shop

Paint shop for Polyurethane paint (PU).

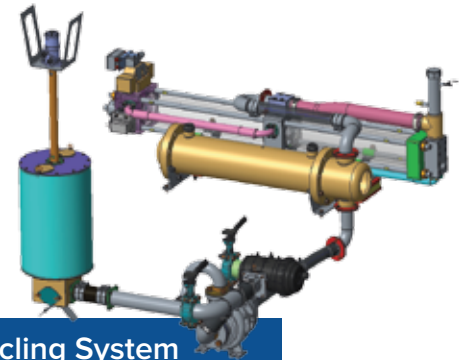
Product Features



Cassetteboom



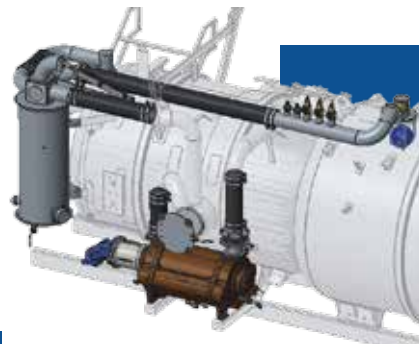
High Pressure Hosereel



Recycling System



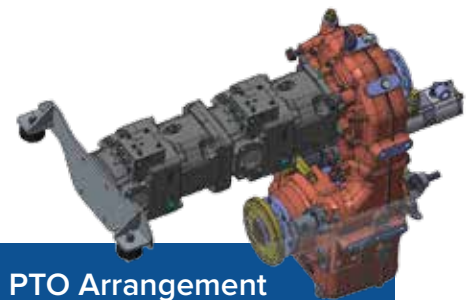
Combined Suction and Jetting Arm



Vacuum System



Wireless Remote Control



PTO Arrangement Hydraulic/ Mechanical

Specifications	Units	Combi Recycler 8000	Combi Recycler 12000
Sludge Tank Capacity*	L	6000	9000
Fresh Water Tank Capacity*	L	2000	3000
Total Capacity of Tank	L	8000	12000
Vacuum Pump	m ³ /hr	3100 - 4200	
Maximum Vacuum	%	85	
Maximum Pressure	barg	0.5	
High Pressure Pump	lpm	250 - 400	
Maximum Pressure	barg	200	
Hose Length	m	120 - 150	
Hose Diameter	inch	1 - 1¼"	
* Chassis		Double Axle	Multi Axle

* As per requirement

Benefits

- Recycling System - Effective Separation of Water from Sludge
- Water Recycling - Continuous Water Supply for Jetting
- No Fresh Water Requirement for Jetting Operation
- High Performance in Worst Conditions such as Grease and Sand in Sewage
- Effective Usage of Tank Volume for Sludge/ Debris
- Cost Saving on Fresh Water and Manpower

Optional Features

- Stainless Steel Tank
- Telescopic Cassette Boom
- Wireless Remote Control
- Radio Remote & Fully Electronic Operation and Maintenance Module
- Customized Offering as per Customer Requirements



ISO 9001:
2015



ISO 14001:
2015

Aryan Pumps & Enviro Solutions Pvt. Ltd

Corporate Office: S. No. 3153, Aryan House, Shree Shivaji Co-operative Housing Society Ltd. Plot No. 18, S B Road, Shivajinagar, Pune 411016, Maharashtra INDIA.

Manufacturing Facility : B1, 5 Star MIDC, Loni Devkar, Indapur, Pune. 413132.

Web: www.aryanpumps.com | **E-mail:** info@aryanpumps.com | **Phone:** +91 020-25630032