

Diesel Engine Driven Priming Assisted Centrifugal Pump

Model AT-6000 Auto Prime Pump

AT 6000 AUTO PRIME DEWATERING PUMP SET



Pump Details

Suction Size	150 mm
Delivery Size	150 mm
Pump Body	Cast Iron
Impeller	Cast Iron
Mechanical Seal	Carbon Ceramic (Oil Cooled)
Maximum Head	25 meters
Maximum Discharge	6000 Liter per minute
PERFORMANCE	At NTP Conditions at 3 m Suction Lift
Discharge Head	4000 LPM 10-12 m

Engine Details

Type	3 Cylinder, 4 strokes, Air-cooled, DIESEL
Speed	1500-2300 rpm
Max. Output	47 hp @ 2300 rpm
Power Take Off	Coupling
Starting system	Battery 12 v x 100 ah
Cooling System	Forced Air Cooled
Fuel	Diesel
Fuel Tank Capacity	100 liters

Frame Details

Type:	Two Wheeled Toweing Trolley
Material:	Mild Steel (Canopy – Optional)

Weight

The Dry Weight:	@1800 kgs. aprox
Fuel & Oil Filled in:	@1900 kgs. aprox

PRODUCTS SPECIFICATIONS

Features & Benefits

- Auto Prime Design
- Battery – Easy Starting
- Air Cooled Compact Engine
- Toweing Trolley
- Solid Handling Capability
- Dry Run Capability
- Suction Lifts Up To 7 m at NPT

Applications

- Municipal Waste Water Transport
- Building Complexes
- Flood Dewatering
- Sewer Bypass
- Waste Water Dewatering

Standard Accessories

- Suction Hose & Camlock Couplings (100 mmx 3.5 m PVC) – 2 Nos
- Discharge Hose – 100mm x 15 m Flexible blue flat – 1 Nos
- Suction Connector
- Tightening Wrench- 1 Nos



AUTO PRIMING

Diaaphragm Pump Driven by Pump Shaft
& Vane Pump Primer as Standby...



EASY CONNECT

Quick Connect Standard Fitting for Discharge...



EASY TOWEING

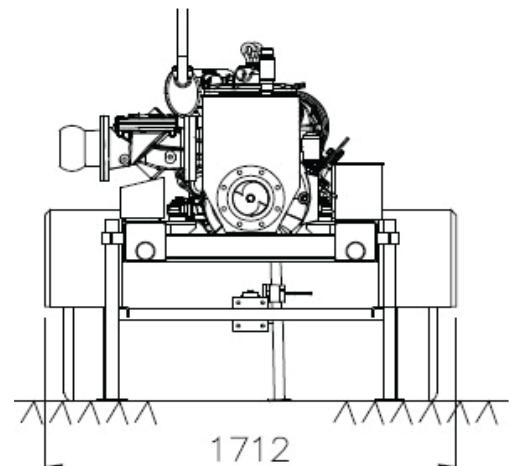
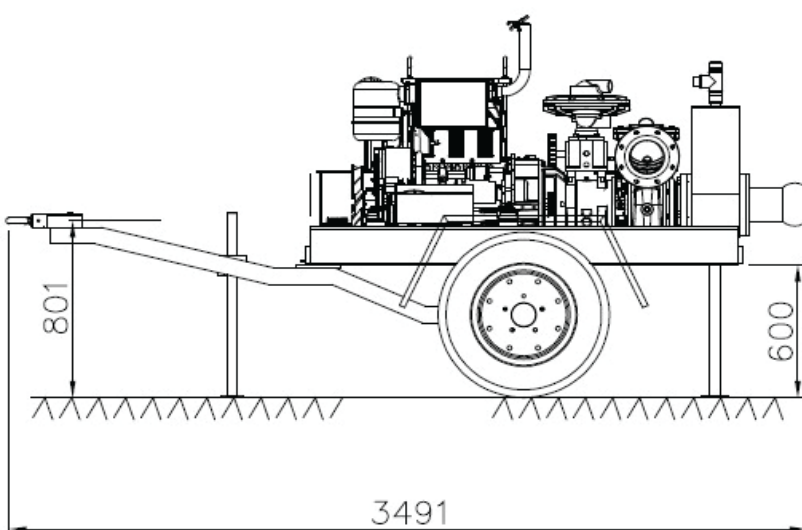
Two Wheeled Site Trolley with Suspension
& Vibration Dampers...



EASY MONITORING

Integrated Engine Monitoring & Control...

Aprox Dimensions



Aryan Pumps & Enviro Solutions Pvt. Ltd

Corporate Office: S. No. 3153, Aryan House, Shree Shivaji Co-operative Housing Society Ltd.

Plot No. 18, S B Road, Shivajinagar, Pune 411016, Maharashtra INDIA.

Plant: B1, 5 Star MIDC, Loni Devkar, Indapur, Pune.

Web: www.aryanpumps.com | E-mail: info@aryanpumps.com | Phone: +91 020-25630032